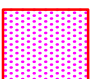
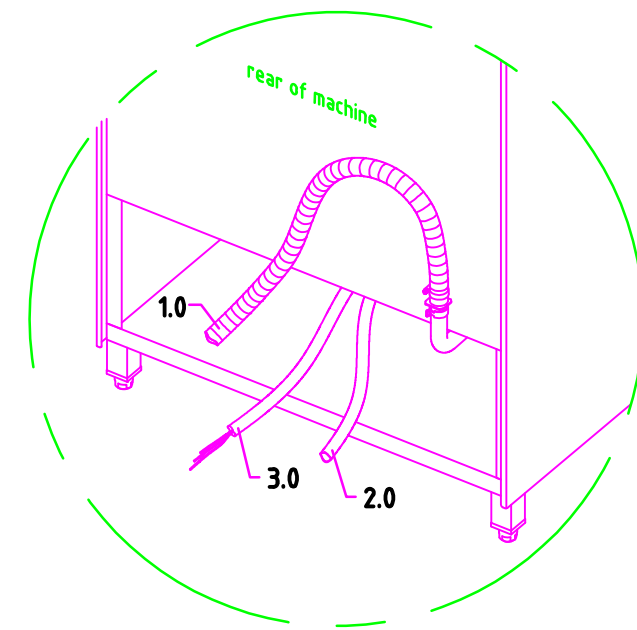
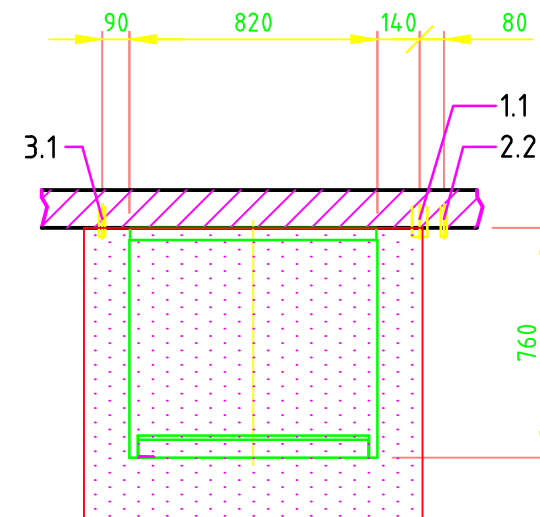
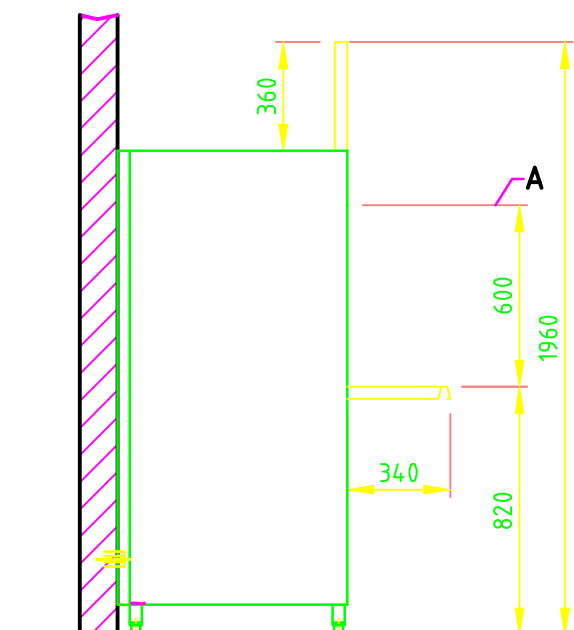
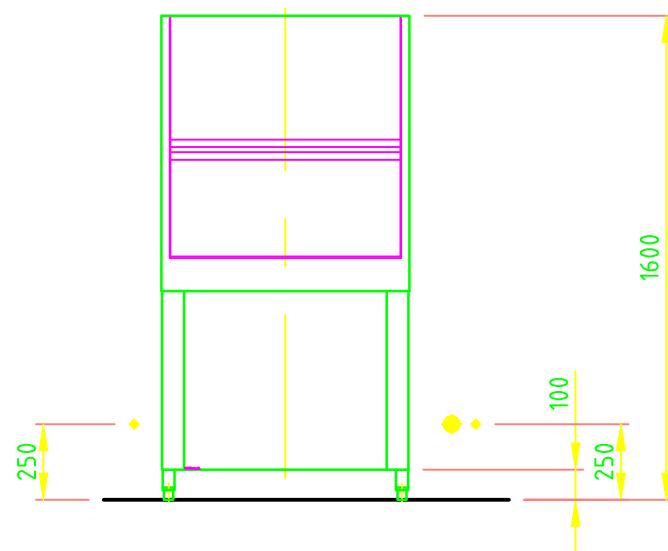



1.0	machine connection: Drain line hose fitted as odour trap in interior of machine	DN 22
1.1	drain (drain pump required from a height of 300 mm)	DN 50
2.0	machine connection: fresh water line	G 3/4"
2.2	soft cold water 10°C max. 0,54 mmol/l CaCO ₃ / 53,4 ppm/CaCO ₃ (max.3°GH) approx. water flow rate 0,33 l/s min. flow pressure: 250 kPa / 2,5 bar upstream of the solenoid valve, maximum pressure: 500 kPa / 5 bar stopcock and fine screen ≤ 25 µm	DN 20
		G 3/4 a
3.0	machine connection: electricity connecting cable	5G 4mm ²
3.1	electricity supply to the machine	3N PE 400V~ 50Hz
	nominal current / - capacity	20,1 A 12,6 kW
	⊕ Voltage equalising cable	Fuse protection: 25 A
Electrical equipment suitable for supply voltage: 3N PE 380-415 V 50 Hz / 1N PE 220-240 V 50 Hz		
heat load of the wash room in case of 15 program cycles /h		total ca.2,8 kW perceptible ca.1,9 kW latent ca.0,9 kW
all cables, pipes etc leaving machine		1,6 m
the position of the connection piping can also be mirror-inverted		
Machine Equipment		
(A) Entry height		
Potential free terminals (changeable to 230V) for local dosingsystem		
	Recommended suction area according to German VDI 2052 or any local regulations have to be observed to determine ventilation of wash areas	



 MEIKO MIDDLE EAST FZE GoldDiamond Park, Building#6, office #206 P.O. Box 282365, U.A.E.-Dubai Phone +971 43 4151 72 E-MAIL: wat@meiko.de	Revision		
	Reference	DISHWASHER STANDARD DRAWING / AFG	
This drawing may not be neither passed to third parties for their information or copied or used for competitive purposes without our consent. All rights reserved. We reserve the right to make changes resulting from technical progress. This drawing was computer generated and is not subject to the checking and any release process; it is also not subject to change management. Please note: This document is only valid in conjunction with the conditions defined in Supplementary Sheet "Important Information". These can be requested from the manufacturer or downloaded from the Partnet.	Type	UPSTER PF 600	
	TYPE: UNIVERSAL	Drawing-No.	S00088338
Scale	drawn:	checked:	
1:25	11.08.2020 m-iplan	11.08.2020 m-iplan	
AFG	EN		